



ROTARY MOWER

FA • FA XL • FAG

USER MANUAL



P. de Heus en Zonen Greup B.V.
Stougjesdijk 153
3271 KB Mijnsheerenland
The Netherlands
Tel: +31 (0) 18 66 12 333
E-mail: info@boxeragri.nl



ENG | ENGLISH

TRANSLATION OF THE ORIGINAL MANUAL



CONTENTS

1.	USING THE MOWER (FA1200, FA1500, FA1500XL, FA1800, FA1800XL or FA2100XL)	4
2.	SAFETY INSTRUCTIONS	5
3.	PUTTING INTO OPERATION / OPERATING INSTRUCTIONS	6
4.	WORKING METHOD AND USE OF THE MOWER	7
5.	STORAGE, MOVING AND DEPLOYABILITY	8
6.	MAINTENANCE AND REPAIRS	9
6.1	Regular maintenance: every 10 hours of operation	9
6.2	Regular maintenance: every 50 hours of operation	10
6.3	Regular maintenance: every 200 hours of operation or annually	10
7.	DISPOSAL AND THE ENVIRONMENT	11
8.	FIGURES	12
9.	TECHNICAL FILE	13
10.	CE DECLARATION OF CONFORMITY	14

1. USING THE MOWER (FA1200, FA1500, FA1500XL, FA1800, FA1800XL or FA2100XL)

- The mower must be connected to the tractor or a comparable piece of equipment (hereinafter called the machine) using a three-point mounting frame.
- The working width is determined by the type and identifier of the mower.
- The mower can be used for grass and leaves on sports fields, parks, gardens, grass fields, etc. where there are no stones, etc., that may injure people and that may cause machine damage!
- Only use and follow the manual of the BOXER mower.
- Note the danger symbols and pictograms and the recommendations indicated by labels on the machine.
- Every 10 working hours, lubricate the lubrication points that are earmarked "grease" (5x).
- Inspect the mower for excessive dirt and damage before you begin mowing.
- Make sure the chain guard on the back is working properly in connection with the danger of ejection of hard bits such as stones, etc.
- Always drive down slopes in a straight line and not at a slant (only if the tractor is equipped with a ROPS cab).

Model	hp	kW	Weight (kg)
FA1200	12-40	9-30	130
FA1500	18-40	13.5-30	153
FA1500XL	18-50	13.5-37.5	200, heavy-duty model
FA1800	22-50	16.5-37.5	205
FA1800XL	22-50	16.5-37.5	235, heavy-duty model
FA2100XL	22-60	16.5-45	330, heavy-duty model

2. SAFETY INSTRUCTIONS

The safety instructions below and the instructions given in the BOXER manual must be observed:

- The capacity and the stability of the machine to which the mower is connected must be adjusted to the mower on the basis of 540 rpm (PTO).
- The fastening width of the machine must also be the same as the fastening width of the mower.
- Be aware of the controls and how to stop a tractor quickly.
- Conveying people is strictly forbidden!
- The working speed is between 2 and 10 km/h depending on the height and the density of the crop.
- The machine can be set almost level in the working position by using the lifting device and the traveling wheels.
- Avoid ground that does not provide sufficient support and is too uneven.
- The warning symbols and pictograms on the machine must continue to be visible and legible.
- Take care that no people or animals come into the operating range while mowing.
- Do not inspect or clean a machine while it is running.
- If the machine does not have a safety cab, wear safety goggles and a dust mask when mowing dusty or sandy areas
- Wear hearing protection if the sound level is higher than 85 dBA.
- Only use the mower for mowing grass, leaves, etc., without coming into contact with stones, gravel, curbs, etc.
- Jolting, jerky and swaying movements must be avoided.
- The mower must be stored on a paved surface.
- All pins and bolted connections must have sound retainers.
- Improper use of the mower must be avoided at all times.
- If the hydraulics of the tractor's lifting device are not operating properly, stop working immediately to prevent accidents and/or damage.
- Work only with the mower in a horizontal position with both swivel casters on the ground. When transporting over a road, the mower must be free of the ground and be securely suspended in the lifting chains of the three-point lifting device so that no obstacles can be hit.
- Follow the safety instructions on the machine carefully and make sure that they are and remain properly legible and visible. Replace the instructions when this is not the case.
- Stop immediately if someone comes within 90 meters of the running machine in connection with danger of flying stones, which could cause injury.
- Make sure that the power take-off and its cover are in good condition.
- Never leave the tractor if the cutting blades are still rotating!
- Only work if the mowing machine can be seen (if required, turn on the tractor's rear lights).

3. PUTTING INTO OPERATION / OPERATING INSTRUCTIONS

Before connecting the mower to the machine mechanically, the following must be checked:

- Whether the machine has sufficient capacity in all situations that may arise.
- Whether the connection points to be secured on the mower match the connection points on the machine.
- Check that the power take-off does not touch anything with the lifting device in the highest and lowest position.
- Make sure the chain guard on the back is working properly in connection with the danger of ejection of hard bits such as stones, etc. If required, untangle the chain links.
- Whether the machine's blades are sufficiently sharp; sharp blades guarantee a good result.
- Check the universal joint for proper connection and sufficient overlap (15 cm).
- Make sure that the power take-off and its cover are in good condition. Try to maintain a power take-off rotation of 540 rpm. The power take-off guard is not allowed to rotate! (Use the chain attachment!)

After the points above have been checked, the mower can be connected to the machine mechanically. When connecting mechanically, the machine must be maneuvered slowly to the attachment system.

Use the manual for specific settings and consult it with regard to the working method and use.

4. WORKING METHOD AND USE OF THE MOWER

Prior to use, the safety instructions given in Chapter 2 must be observed!

- Only work with coupling rods that move freely upward such that the mower runs horizontally and on its own four swivel casters.
- The traveling wheels can be adjusted to set the working height (mower height).
- Take care that the shaft with universal joint is as level as possible when in the working position.
- Check the safeguards of top link pin and lifting rod pins.
- If the mowing height is set too low, the blades usually make too much contact with the ground and the machine will be damaged.
- If required, untangle the chain links.
- Work only at a power take-off rotation of 540 rpm.
- After every working day, the mower must be cleaned carefully so that no grass and/or sand residue remains stuck anywhere on the system and hardens. Park the combination with the mower on flat surface.
- Do not stand on the machine if the blades are still rotating!



5. STORAGE, MOVING AND DEPLOYABILITY

When storing the mower, make sure that the blades are free of any obstacle. Moving the mower on the swivel casters is only permitted on a paved surface. Do not stand on the machine when moving it. The power take-off must be fastened securely to the frame to prevent the possibility of a hand getting caught.

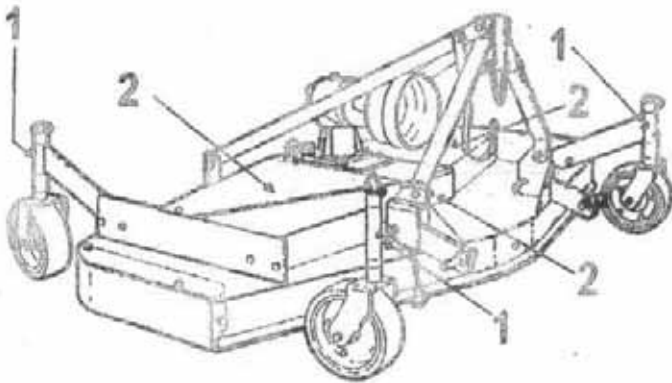
6. MAINTENANCE AND REPAIRS

- Maintenance and repairs must be done by a competent person.
- When replacing the blades, make sure that the same blade lengths are installed across from one another to prevent imbalance!
- After every working day, the mower must be cleaned carefully so that no grass and/or sand residue remains stuck anywhere on the system and hardens.
- The mower must be inspected for wear, distortion and cracking every 10 operating hours and after any unforeseen event.
- No changes may be made to the mower system without written consent from the manufacturer.

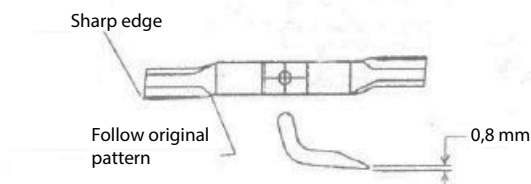
6.1 Regular maintenance: every 10 hours of operation

1. Lubricate the swivel casters (4x).
2. Lubricate the rotor bearings (3x) and lubricate the universal joint.
3. Tighten the V-belt.

Position grease nipples



4. Check the level in the gearbox (on the side) and, if required, top it up (at the top).
5. Check the wear of the blades and, if required, grind them back into their original shape.

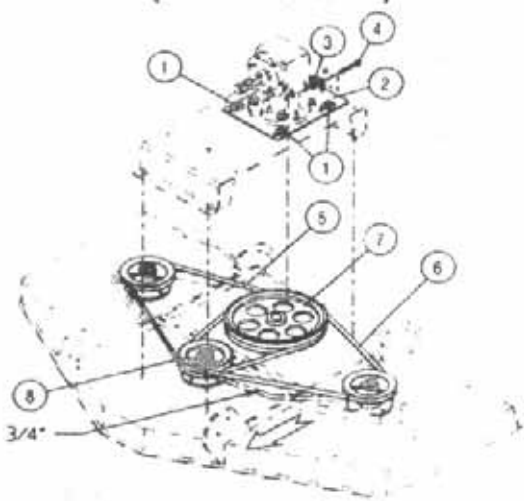


Place orders by including the identifier and the quantity in accordance with the mower type.

6.2 Regular maintenance: every 50 hours of operation

Check the oil level of the gearbox and, if required, top it up.
Check the V-belt drive units and, if required, replace them.

V-belt drive units



1. Disconnect the mower from the tractor.
2. Loosen the housing.
3. Loosen the gearbox.
4. Move the gearbox so that the belts tighten or loosen.
5. Pay attention to the position of the belts.
6. The belt pushing-in is approximately 3/4" (± 20 mm).

6.3 Regular maintenance: every 200 hours of operation or annually

Replace the V-belts.

7. DISPOSAL AND THE ENVIRONMENT

If the mower is no longer suitable for further use, the hydraulic hoses must be removed and the hydraulic oil must be drained.

Each of the sorted materials must be offered separately to the relevant authorities/companies.

8. FIGURES

FA model



FA XL model



FAG model



9. TECHNICAL FILE

The technical file, detailed drawings, structural calculations and original CE declaration of conformity are available for inspection at the office of the supplier/manufacturer.

10. CE DECLARATION OF CONFORMITY



Boxer Agriculture Equipment B.V.

A member of de Heus group

Stougesdijk 153 – 3271KB Mijnsheerenland – Holland

Tel: +31 186 612 333

e-mail : info@boxeragri.nl



EG Conformiteitsverklaring

Volgens machinerichtlijn 2006/42/CE



Konformitätserklärung

Entsprechend der Richtlinie 2006/42/CE



EEC Declaration of Conformity

Conforming to the Directive 2006/42/CE



Déclaration CE de Conformité

Conforme à la directive de la 2006/42/CE

Wij – Wir – We – Nous :

Boxer Agriculture Equipment B.V.

Stougesdijk 153

3271KB Mijnsheerenland – Holland

Verklaren onder eigen verantwoordelijkheid dat de machine:

Erklären in alleiniger Verantwortung, daß die machine:

Declare under our own responsibility that the product:

Déclarons sous notre seule responsabilité que le produit:

Machine : Circelmaaier / Kreiselmulcher/Rotary mower/ Tondeuse

Type/model : FA / FA-XL / FAG

Seriennummer / Chassis number :

Bouwjaar / Baujahr / Year / Année :

De machine in de verklaring voldoet aan de fundamentele veiligheids- en gezondheidseisen die zijn vastgelegd in de richtlijn van 2006/42 / EG en ter verificatie zijn geraadpleegd UNI: EN 13524: 2004, EN 754. UNI: EN 1553: 2001

Auf dass sich diese Erklärung bezieht, den einschlägigen grundlegenden Sicherheit und Gesundheitsanforderungen EG-Richtlinie 2006/42/CE, UNI:EN 13524:2004, EN 754, UNI:EN 1553:2001 berücksichtigt

To which this certificate applies, conforms to the basic safety and health requirements of EEC Directives 2006/42/CE and following , we have consulted UNI:EN 13524:2004, EN 754. UNI:EN 1553:2001

Faisant l'objet de la déclaration est conforme aux prescriptions fondamentales en matière de sécurité et de santé stipulées dans la Directive de la 2006/42/CE et consultées pour vérification UNI:EN 13524:2004, EN 754. UNI:EN 1553:2001

Mijnsheerenland , 19/08/2019

De gevolmachtigde:

Der Bevollmächtigte:

The legal representative :

Le représentant légal:

