



SIDE SHIFT FLAIL MOWER

AGL (MINI) • AGF • AGF PRO

USER MANUAL



P. de Heus en Zonen Greup B.V.
Stougjesdijk 153
3271 KB Mijnsheerenland
The Netherlands
Tel: +31 (0) 18 66 12 333
E-mail: info@boxeragri.nl



EN | ENGLISH

TRANSLATION OF THE ORIGINAL MANUAL

CONTENTS

1.	USING THE SIDE SHIFT FLAIL MOWER AGL, AGF and AGF PRO	4
2.	SAFETY INSTRUCTIONS	7
3.	PUTTING INTO OPERATION/OPERATING INSTRUCTIONS	9
4.	WORKING METHOD/USE	10
5.	STORAGE AND MOVING	11
6.	MAINTENANCE/REPAIRS	12
7.	DISPOSAL/THE ENVIRONMENT	13
8.	TECHNICAL FILE	14
9.	TECHNICAL DRAWINGS	15
9.1	AGL Mini installation	15
9.2	Installation AGL/AGF	18
9.3	Three-point suspension	21
10.	CE DECLARATION OF CONFORMITY	23



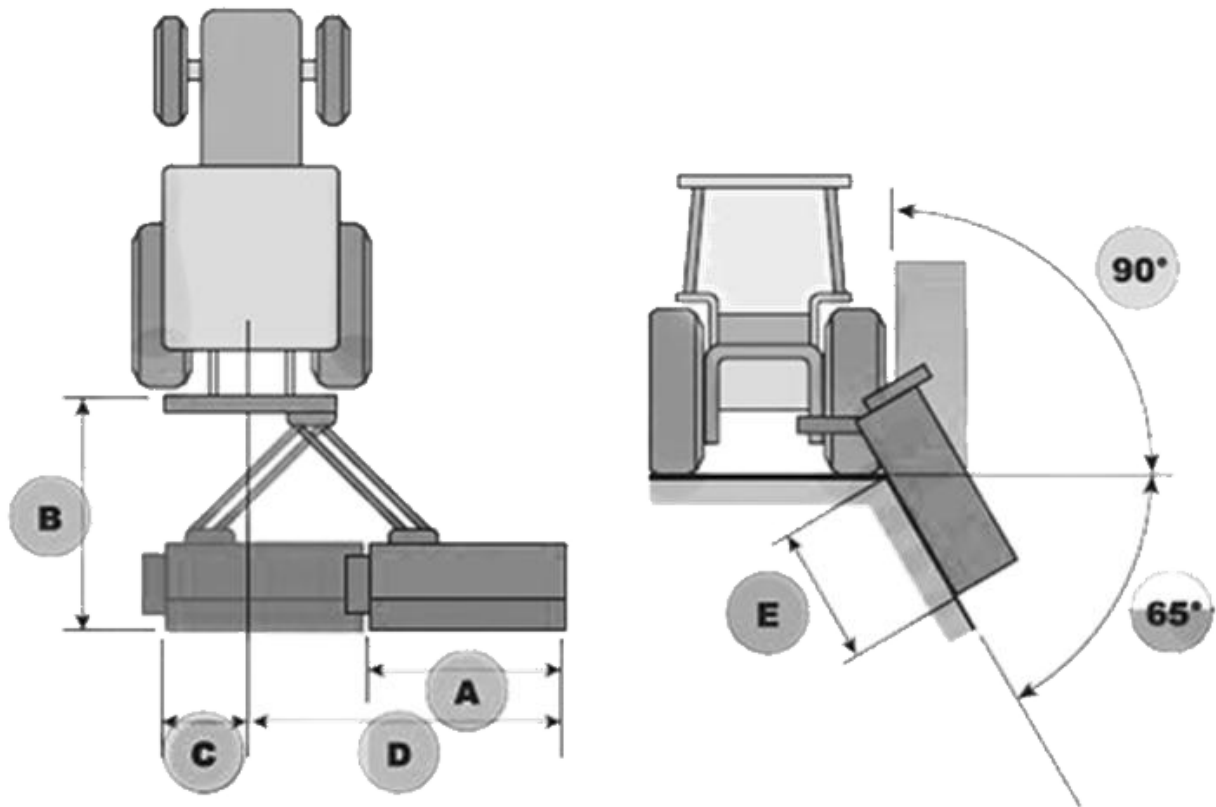
1. USING THE SIDE SHIFT FLAIL MOWER AGL, AGF and AGF PRO

For tractors

Types: AGL, AGF and AGF PRO (540 rpm)

- The side shift flail mower must be connected to the tractor or a comparable piece of equipment (hereinafter called the machine) using a three-point mounting frame.
- The working width is determined by the side shift flail mower type.
- The side shift flail mower can be used for grass, leaves on sports fields, parks, gardens, grass fields, etc. where there are no stones, etc., that may injure people and that may cause machine damage!
- Only use and follow the BOXER manual.
- Note the danger symbols and pictograms and the recommendations indicated by labels on the machine. Stay at a safe distance from a rotating machine (at least 30 meters). Stones, etc. being ejected continues to be a risk and may lead to permanent injury.
- Lubricate the lubrication points (3) and power take-off lubrication points (2) every 10 hours.
- Inspect the side shift flail mower for excessive dirt and damage before you begin flail mowing.
- Make sure the machine is correctly adjusted and especially on the rear in connection with the danger of ejection of hard bits such as stones, etc. The hinged ejection plates must be undamaged on the front side. If they are damaged, they must be replaced immediately.
- Set the top bar length and the lifting device in such a way that the machine runs on the rear roller.
- Check the belt tension. If required, tension it using the gearbox adjustment.
- Jet spray the bottom side and cylinder chambers clean every time after using.

Model	Working width (cm)	PTO speed (rpm)	Required power (HP)	Category	Weight (kg)	Blades
AGL 110 MINI	110	540	15 - 35	CAT. I	230	18
AGL 130 MINI	130	540	18 - 50	CAT. I	260	22
AGL 125	125	540	20 - 60	CAT. I	250	20
AGL 145	145	540	25 - 60	CAT. I	270	24
AGL 165	165	540	30 - 70	CAT. I	290	28
AGL 185	185	540	40 - 75	CAT. I/II	342	30
AGL 200	200	540	45 - 80	CAT. I/II	355	32
AGF 140	140	540	50 - 80	CAT. II	520	14
AGF 160	160	540	60 - 95	CAT. II	560	16
AGF 180	180	540	70 - 110	CAT. II	600	18
AGF 200	200	540	80 - 110	CAT. II	650	20
AGF 220	220	540	90 - 120	CAT. II	685	20
AGF 240	240	540	90 - 130	CAT. II	720	24
AGF 180 PRO	180	540	70 - 110	CAT. II	660	18
AGF 200 PRO	200	540	80 - 110	CAT. II	710	20
AGF 220 PRO	220	540	90 - 120	CAT. II	750	20
AGF 240 PRO	240	540	90 - 130	CAT. II	790	24



Model	A	B	C	D	E
AGL 110 MINI	110	120	40	183	85
AGL 130 MINI	130	120	40	203	105
AGL 125	120	130	76	180	105
AGL 145	140	130	76	200	125
AGL 165	160	130	76	220	145
AGL 185	185	130	66	235	165
AGL 200	200	130	66	250	180
AGF 140	140	163	24	234	120
AGF 160	160	163	24	254	140
AGF 180	180	163	24	274	160
AGF 200	200	165	24	292	180
AGF 220	220	165	24	312	200
AGF 240	240	165	24	312	220
AGF 180 PRO	180	163	24	274	160
AGF 200 PRO	200	165	24	292	180
AGF 220 PRO	220	165	24	312	200
AGF 240 PRO	240	165	24	312	220

2. SAFETY INSTRUCTIONS

Always drive down slopes in a straight line and not at a slant (only if the tractor is equipped with a ROPS cab).

The following safety instructions and the ones given in the BOXER manual must be observed:

- The capacity and the stability of the machine to which the side shift flail mower will be connected must be adjusted to the side shift flail mower on the basis of 540 rpm (PTO).
- The fastening width of the machine must also be the same as the fastening width of the side shift flail mower.
- Be aware of the controls and how to stop a tractor quickly.
- Conveying people is strictly forbidden.
- The working speed is between 3 and 10 km/h depending on the height and the density of the crop.
- The machine can be set level in the working position by using the lifting device where the rear roller runs level on the ground.
- Avoid ground that does not provide sufficient support, is too uneven or has molehills, stones, etc.
- The warning symbols and pictograms on the machine must continue to be visible and legible.
- Take care that no people or animals come into the operating range while flail mowing.
- Do not inspect or clean a machine when it is running.
- If the machine does not have a safety cab, wear safety goggles and a dust mask when mowing dusty or sandy areas.
- Wear hearing protection if the sound level is higher than 85 dBA.
- Only use the side shift flail mower for flail mowing grass, leaves, etc., without coming into contact with stones, sand, gravel, curbs, etc.
- Jolting, jerky and swaying movements must be avoided.
- The side shift flail mower must be stored on a paved surface.
- All pins and bolted connections must have sound retainers.
- The hydraulic cylinders may not leak. If they do, they must be replaced immediately.
- Improper use of the side shift flail mower must be avoided at all times. Obey traffic rules.
- If the hydraulics of the tractor's lifting device are not operating correctly, stop working immediately to prevent accidents and/or damage.
- Work as much as possible with the side shift flail mower in a horizontal position, with both skids on the ground. When transporting over a road, the side shift flail mower must be free of the ground and be securely suspended in the lifting chains of the three-point lifting device so that no obstacles can be hit. Prevent mowing residue, etc. from being dropped within this context.
- Follow the safety instructions on the machine carefully and make sure that they are and remain properly legible and visible. If this is not the case, they must be replaced.
- Stop immediately if someone comes within 90 meters in connection with the danger of flying stones, etc., which could cause injury to people.
- Make sure that the power take-off and its protections are in good condition. Try to maintain a power take-off speed of 540 rpm. The power take-off guard is not allowed to rotate! Use the chain attachments!
- Never leave the tractor if the cutting blades are still rotating!
- Only work if the flail mowing machine can be seen (if required, turn on the tractor's lighting and flashing lights).
- Replace the flail mower blades on time to guarantee imbalance and low flail mowing capacity are prevented. If there is extreme damage, all blades must be replaced.

- The hydraulic couplings/hoses must be treated with due care.
- When uncoupling the tractor, pay attention to see whether the machine is immediately behind the tractor (arms hydraulically folded in) and is level and robustly positioned on both support legs and the skids. This is to make sure it cannot tip over.
- The hydraulic quick-release couplings must be suspended after being sealed and must be dust-free.



Hazard of rotating blades!



3. PUTTING INTO OPERATION/OPERATING INSTRUCTIONS

Before coupling the side shift flail mower to the machine mechanically, the following must be checked:

- That the machine has sufficient capacity in all situations that may arise such as swerving, turning, flail mowing, etc. to be safely fitted with the side shift flail mower.
- That the connection points to be safeguarded on the side shift flail mower match the connection points on the machine.
- That the power take-off does not touch anything with the lifting device in the highest and lowest position.
- That none of the hydraulic hose cylinder positions can become jammed.
- That the machine's blades are undamaged. Undamaged blades will guarantee a good result.
- That the universal joint is properly connected and has sufficient overlap (at least 15 cm).
- That all bolted connections have been sufficiently tightened.

Make sure that the machine works properly and the roller is level on the rear side in connection with the danger of ejection of hard bits such as stones, etc.

After the points above have been checked, the side shift flail mower can be attached to the machine mechanically. When connecting mechanically, the machine must be maneuvered slowly to the attachment system.

The hydraulic coupling must be easy to couple. If this is not the case, have the pressure on the quick release couplings drop by operating the valve.

4. WORKING METHOD/USE

Prior to use, the safety instructions given in Chapter 2 must be observed!

- Only work with a sound machine and while making sure that the side shift flail mower can run level or at least with the skids and roller on the ground.
- Make sure that all the fastening bolts have been sufficiently tightened and secured.
- Take care that the shaft with universal joint is as level as possible when in the working position.
- If the surface is uneven, the blades will hit the ground too much and the blades and machine may be damaged.
- Work only at a power take-off speed of 540 rpm.
- After every working day, the side shift flail mower must be cleaned carefully so that no grass and/or sand residue remains stuck to the system anywhere and hardens. Park the combination in the folded-in position with the mowing machine on a flat surface.
- Do not stand on the machine if the blades are still rotating.
- Conveying people is extremely dangerous (it can even lead to death)!

5. STORAGE AND MOVING

- When storing the side shift flail mower, make sure that the blades are free of any obstacle and that the machine is level supported by both supports and the rear roller.
- Do not stand on the machine when moving it.
- The power take-off and hydraulic hoses must be suspended from a machine that has been put away in a stable manner.
- After a long storage period, the blades must be checked for free rotation in connection with possible rusting into place after use.

6. MAINTENANCE/REPAIRS

- Maintenance and repairs must be done by a competent person.
- When replacing the blades, make sure that the same blade lengths are installed to prevent imbalance! Also check that the blades rotate in the correct direction.
- Make sure the V-belts are tightly tensioned.
- After every working day, the side shift flail mower must be cleaned carefully so that no grass and/or sand residue remains stuck to the system anywhere and hardens.
- The side shift flail mower must be inspected for wear, distortion and cracking every 10 operating hours and after any unforeseen event.
- No changes may be made to the side shift flail mower without written consent from the manufacturer.

Every 10 operating hours

1. Lubricate the grease nipples (10) with grade II grease
2. Lubricate the power take-off (2x).
3. The oil level in the gearbox must be checked annually at the Allen bolt level and, if required, must be topped up at this location.
4. Check blade wear and damage and, if required, replace them.
5. Clean the mower head thoroughly.

Every 50 operating hours

Check the oil level of the gearbox and, if required, top it up.

Every 200 operating hours or annually

Change the oil in the gearbox.



7. DISPOSAL/THE ENVIRONMENT

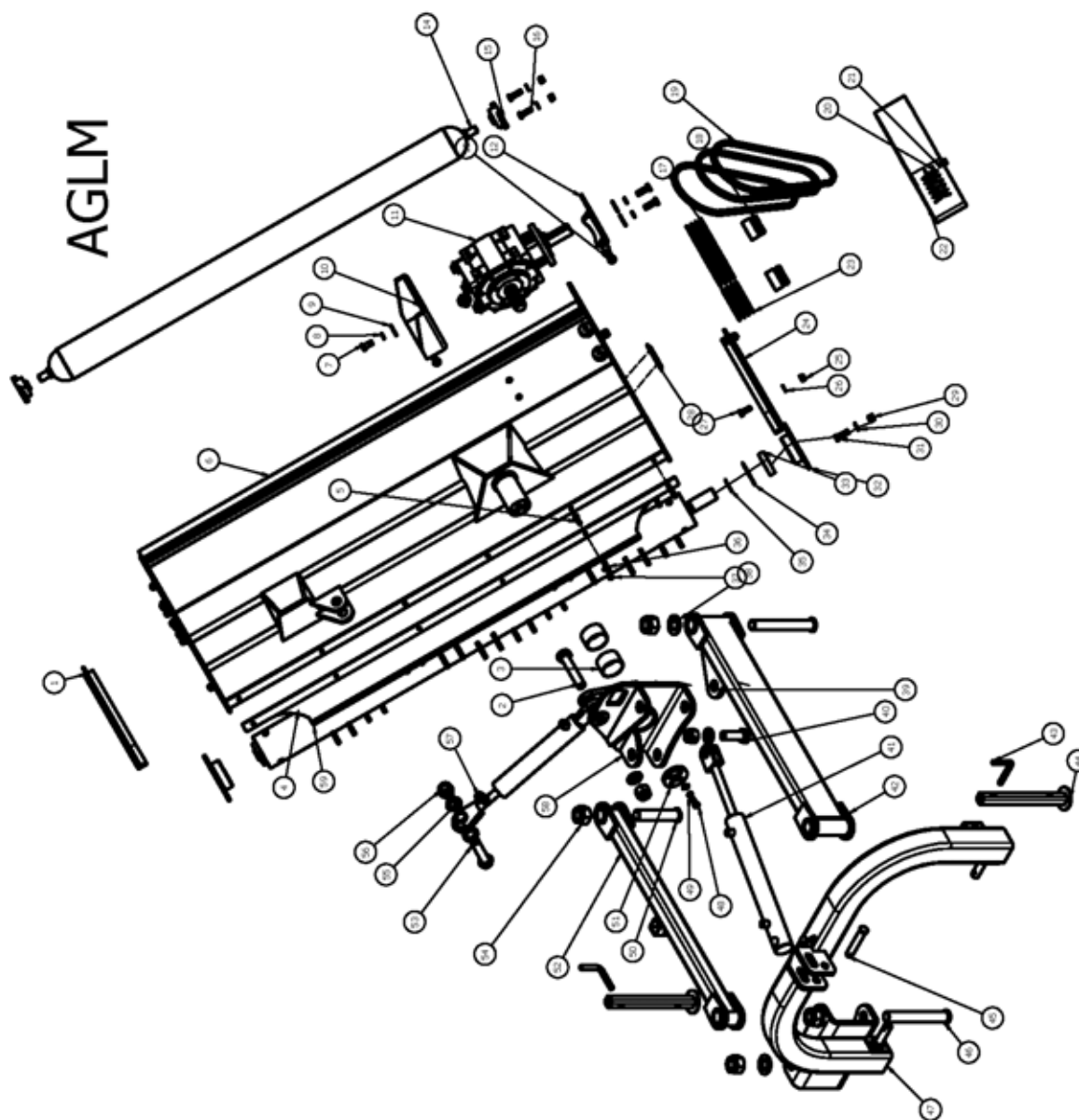
Each of the sorted materials must be offered separately to the relevant authorities/companies.

8. TECHNICAL FILE

The technical file, detailed drawings, structural calculations and original CE declaration of conformity are available for inspection at the office of the supplier/manufacturer.

9. TECHNICAL DRAWINGS

9.1 AGL Mini installation



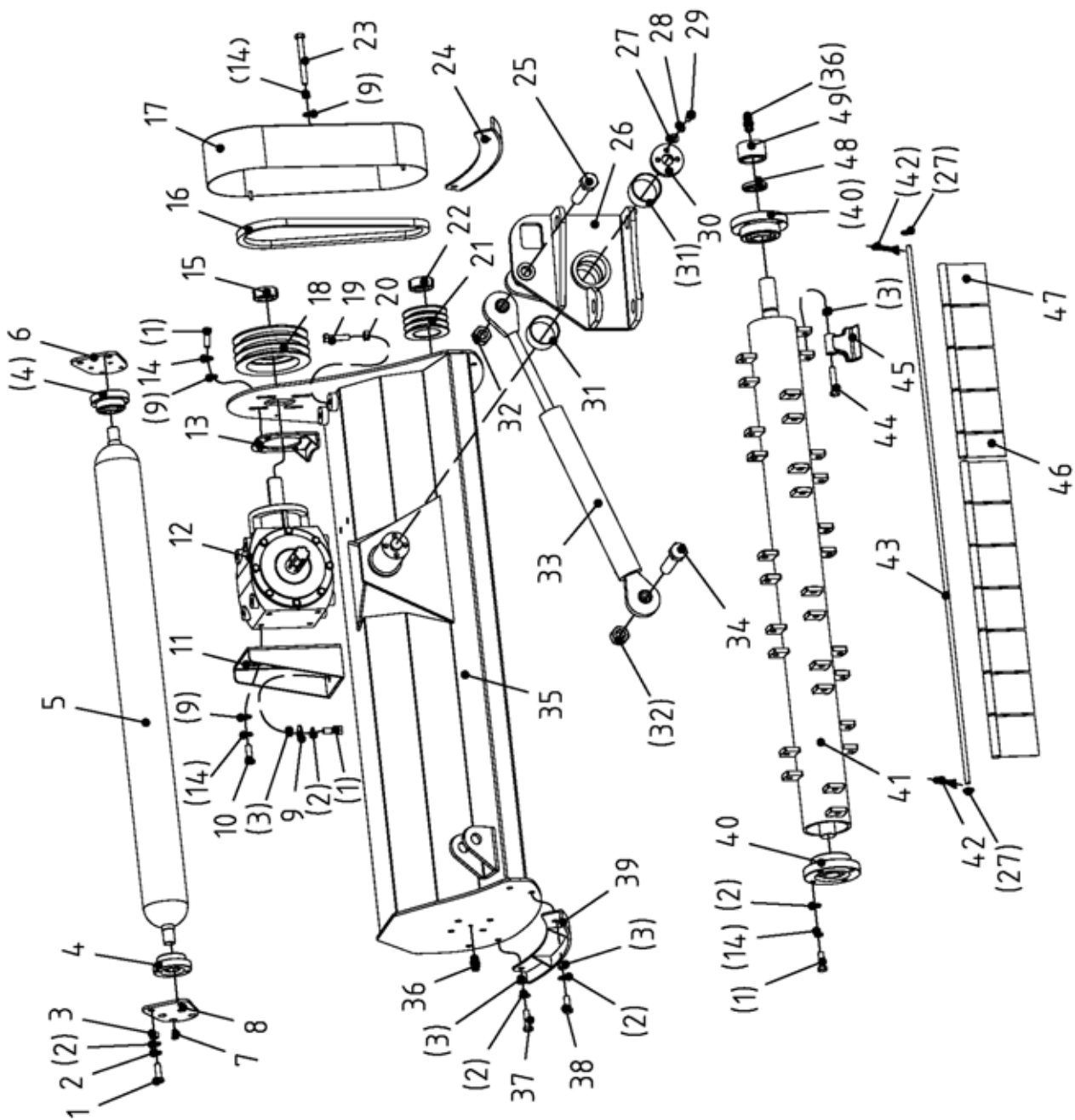
AGL MINI INSTALLATION			
No.	Part no.	Description	Quantity
1	KD130-015		1
2	GB/T 5782	M24 x 120	1
3		63 x 68 x 40	2
4			1

AGL MINI INSTALLATION			
No.	Part no.	Description	Quantity
5	GB/T 5783	M8 x 25	6
6	AGLM130-010		1
7	GB/T 5783	M12 x 25	4
8	GB 93-87		8
9	GB/T 96.1		10
10	AGL125-016		1
11			1
12	AGL125-020		1
13	GB/T 6170	M12	2
14	KDM130-018		1
15		Z-UCFL204	2
16	GB/T 5783	M10 x 35	4
17	KDM130-118		1
18	KDM130-108		2
19			3
20	GB 93-87		2
21	GB/T 5783	M8 x 20	2
22	KDM130-108		1
23	KDM130-119		1
24	KD130-015A		1
25	GB/T 889.1	M10	8
26	GB/T 97.1		20
27	GB/T 5783	M10 x 30	4
28			1
29	GB/T 889.1	M12	12
30	GB/T 97.1		22
31	GB/T 5783	M12 x 35	18
32	KDM130-013		2
33	GB/T 276-94	6207	2
34	GB 893.1-86		2
35	GB 894.1-86		1
36	GB/T 97.1		14
37	GB/T 889.1	M8	6
38	GB/T 97.1		4
39	DIN 71412	M8X1	3
40	GB/T 5783	M24 x 70	1
41			1
42	AGL125-012		1
43	EFGC175-116		2

AGL MINI INSTALLATION			
No.	Part no.	Description	Quantity
44	BCRL125-014		2
45	EFGC175-118		1
46	AGL125-103		3
47	AGL125-011		1
48	GB/T 5783	M10 x 25	4
49	GB 93-87		4
50	AGL125-105		1
51	AGL125-104		1
52	AGL125-013		1
53	GB/T 5782	M24 x 110	1
54	GB/T 889.1	M30	4
55	GB/T 97.1 24		6
56	GB/T 889.1 M24		3
57	1		1
58	AGL125-015		1
59	KDM150-105		1



9.2 Installation AGL/AGF



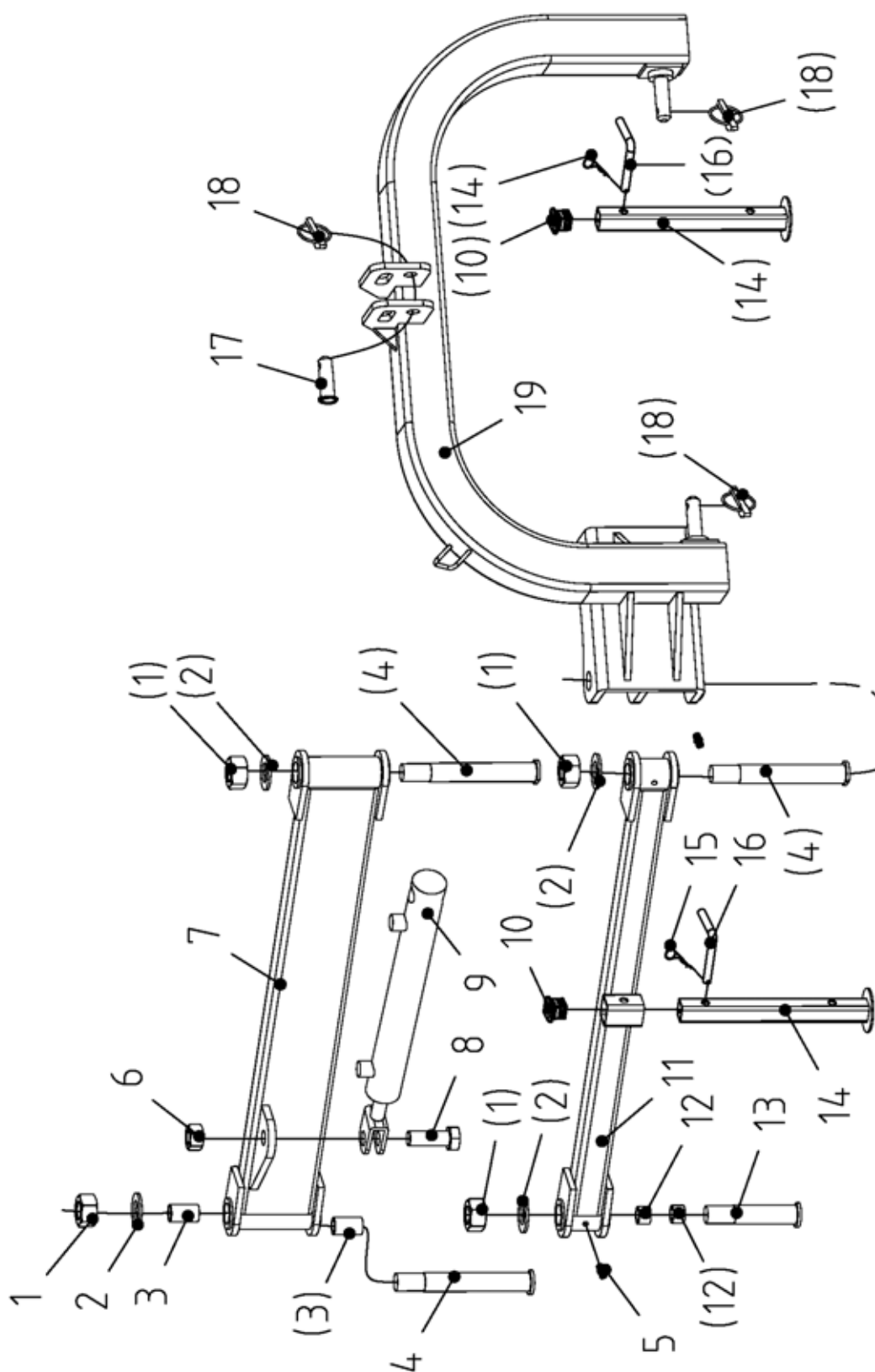
AGL/AGF INSTALLATION			
No.	Part no.	Description	Quantity
1	GB5783-86	M12 x 35	16
2	GB97.1-86	12	20
3	GB6184-86	M12	8
4		UC205	2
5	EF175-012		1
6	BCRL125-109		1
7	GB70.3-2000	M8 x 20	8

AGL/AGF INSTALLATION			
No.	Part no.	Description	Quantity
8	BCRL125-108		1
9	GB96-2000	12	10
10	GB5783-86	M12 x 25	4
11	BCRL125-016		1
12			1
13	BCRL125-020		1
14	GB93-86	12	17
15		33 x 60	1
16		B x 965	3
17	EF175-014		1
18	EF175-130A		1
19	GB5786-86	M12 x 1.25 x 50	1
20	GB6175-86	M12 x 1.25	1
21	EFH175-131A		1
22		Z3A 35 x 60	1
23	GB5782-86	M12 x 90	1
24	CRL125-018		1
25	GB5782-86	M24 x 120	1
26	BCRL125-015		1
27	GB97.1-2000	10	6
28	GB93-86	10	4
29	GB5783-86	M12 x 25	4
30	BCRL125-104		1
31		63 x 68 x 40	2
32	GB6184-86	M24	2
33	BCRL125-101		1
34	GB5782-86	M24 x 110	1
35	BCRL125-019		1
36		M8 x 1	2
37	GB5782-86	M12 x 40	2
38	GB5782-86	M12 x 30	2
39	CRL125-018		1
40		UC207	2
41	EFG175-013		1
42	GB91-2000	4 x 25	2
43	EF175-110		1
44	GB5782-86	M12 x 85	
45			
46	EF175-109		1

AGL/AGF INSTALLATION			
No.	Part no.	Description	Quantity
47	EF175-108		1
48		55 x 80 x 8	1
49	EF175-103		1



9.3 Three-point suspension



THREE-POINT SUSPENSION

No.	Part no.	Description	Quantity
1	GB6184-86	M30	4
2	GB97.1-86	30	4
3		30 x 34 x 40	8
4	BCRL125-103		3
5		M8X1	4
6	GB6184-86	M24	1
7	BCRL125-012		1
8	GB5782-86	M24 x 65	1
9	BCRL125-102		1
10	EF175-115		2
11	BCRL125-013		1
12		30 x 34 x 24	4
13	BCRL125-105		1
14	BCRL125-014		1
15			2
16	EF175-116		2
17	EF175-118		1
18			3
19	BCRL125-011		1



10. CE DECLARATION OF CONFORMITY



Boxer Agriculture Equipment B.V.

A member of de Heus group

Stougjesdijk 153 – 3271KB Mijnsheerenland – Holland

Tel: +31 186 612 333 e-mail : info@boxeragri.nl



EG Conformiteitsverklaring

Volgens machinerichtlijn 2006/42/CE



Konformitätserklärung

Entsprechend der Richtlinie 2006/42/CE



EEC Declaration of Conformity

Conforming to the Directive 2006/42/CE



Déclaration CE de Conformité

Conforme à la directive de la 2006/42/CE

Wij – Wir – We – Nous :

Boxer Agriculture Equipment B.V.

Stougjesdijk 153

3271KB Mijnsheerenland – Holland

Verklaren onder eigen verantwoording dat de machine:

Erklären in alleiniger Verantwortung, daß die machine:

Declare under our own responsibility that the product:

Déclarons sous notre seule responsabilité que le produit:

Machine : Klepelmaaier/ Mulcher / Flail mower/ Broyeur

Type/model : AGL / AGF / AGF PRO

Seriennummer / Chassis number :

Bouwjaar / Baujahr / Year / Année :

De machine in de verklaring voldoet aan de fundamentele veiligheids- en gezondheidseisen die zijn vastgelegd in de richtlijn van 2006/42 / EG en ter verificatie zijn geraadpleegd UNI: EN 13524: 2004, EN 754. UNI: EN 1553: 2001

Auf dass sich diese Erklärung bezieht, den einschlägigen grundlegenden Sicherheit und Gesundheitsanforderungen EG-Richtlinie 2006/42/CE, UNI:EN 13524:2004, EN 754, UNI:EN 1553:2001 berücksichtigt

To which this certificate applies, conforms to the basic safety and health requirements of EEC Directives 2006/42/CE and following , we have consulted UNI:EN 13524:2004, EN 754. UNI:EN 1553:2001

Faisant l'objet de la déclaration est conforme aux prescriptions fondamentales en matière de sécurité et de santé stipulées dans la Directive de la 2006/42/CE et consultées pour vérification UNI:EN 13524:2004, EN 754. UNI:EN 1553:2001

Mijnsheerenland , 19/08/2019

De gevolmachtigde:

Der Bevollmächtigte:

The legal representative :

Le représentant légal:

