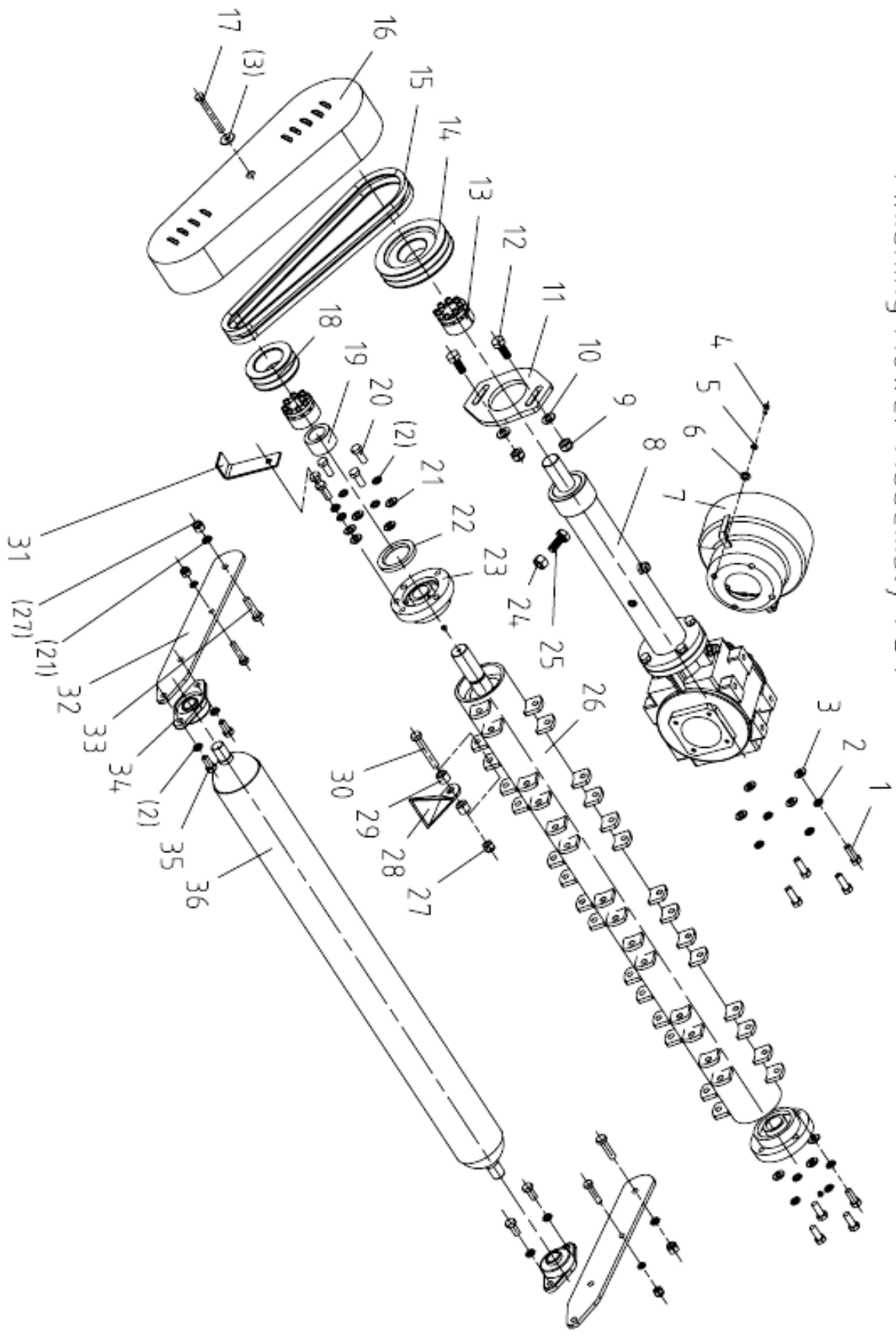


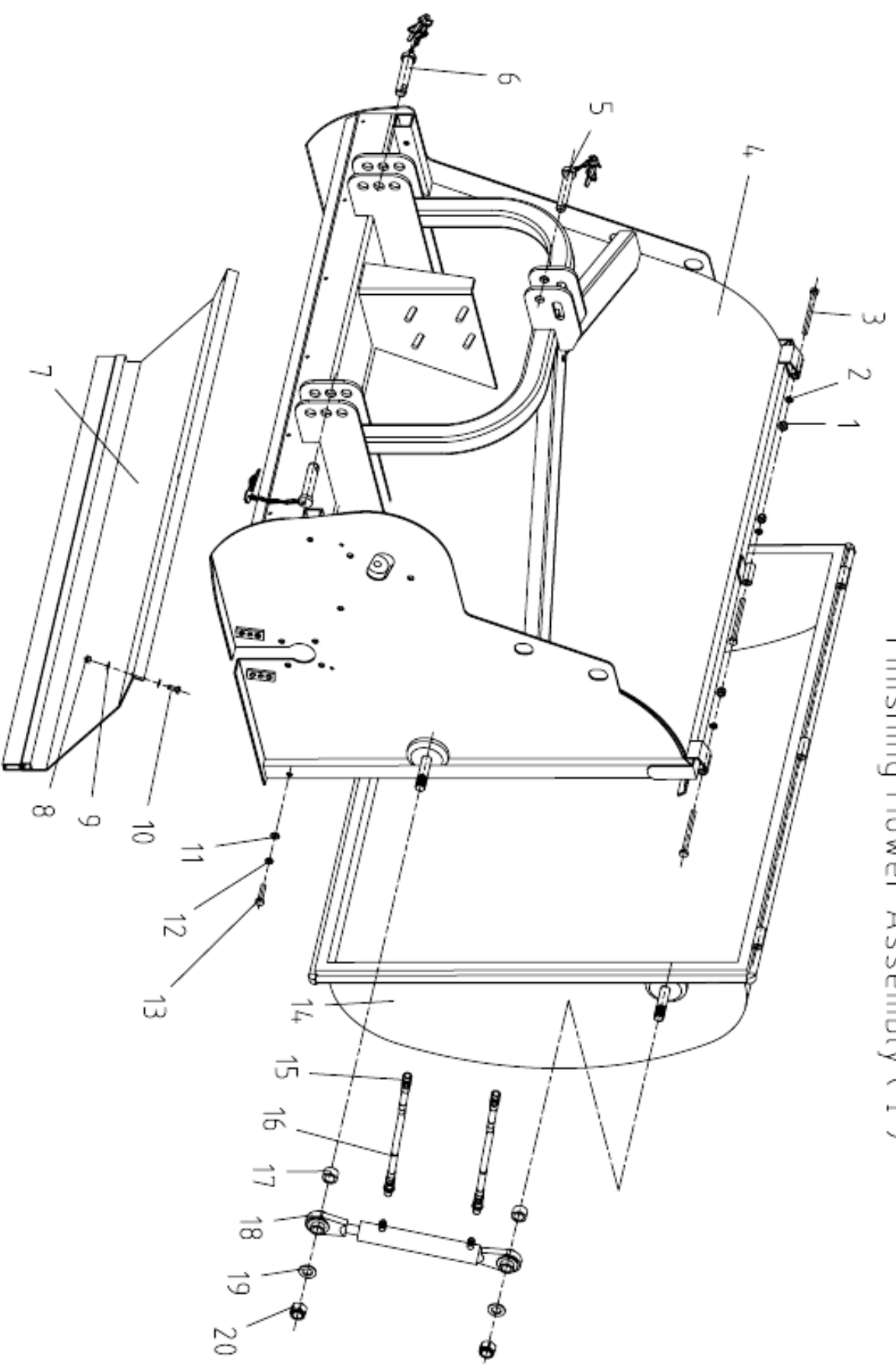
Finishing Mower Assembly (II)



Drive Line Assembly

Number	Serial Number	Part Name(EN)	Qty	Remarks
1	GB5783-86	Bolt M12x35	4	
2	GB93-87	washer 12	13	
3	GB96-85	Plain washer 12	4	
4	GB5783-86	Bolt M10x25	4	
5	GB93-87	washer 10	4	
6	GB96-85	Plain washer 10	4	
7	FM120.00.199	Protect cover	1	
8	EFGC120.015		1	
9	GB6184-86	Nut M14	2	
10	GB97.1-85	Plain washer 14	2	
11	EFGC120.102A		1	
12	GB5783-86	Bolt M14x35	2	
13	JB/T7934Z3		2	
14	RK120.113	Pulley(large)	1	
15	GB/T1154-97	Belt A13x8x1020	2	
16	RK120.021	Pulley cover	1	
17	GB5782-86	Bolt M12x90	1	
18	RK120.110	Pulley(small)	1	
19	RK120.109	Spacer	1	
20	GB5783-86	Bolt M12x30	8	8.8 grade
21	GB97.1-85	Plain washer 12	12	
22	GB13871-94	Oil seal FB55x80x8	1	
23	GB7810-87	Bearing 90207	2	
24	GB6173-86	Nut M16x1.5	1	
Number	Serial Number	Part Name(EN)	Qty	Remarks
25	GB5786-86	Bolt M16X1.5X50	1	
26	RK120.020	Balde axle	1	
27	GB6184-86	Nut M12	32	
28	RK120.114	Blade	28	
29	EF100.00.101	Spacer	56	
30	GB5782-86	Bolt M12x75	28	8.8 grade
31	RK120.105	Block plate	1	
32	RK120.106	Wheel support	2	
33	GB5782-86	Bolt M12x45	4	8.8 grade
34	GB7810-87	Bearing 90205	2	
35	GB5783-86	Bolt M12x25	4	8.8 grade
36	EFG120.012	Roller	1	

Finishing Mower Assembly (1)



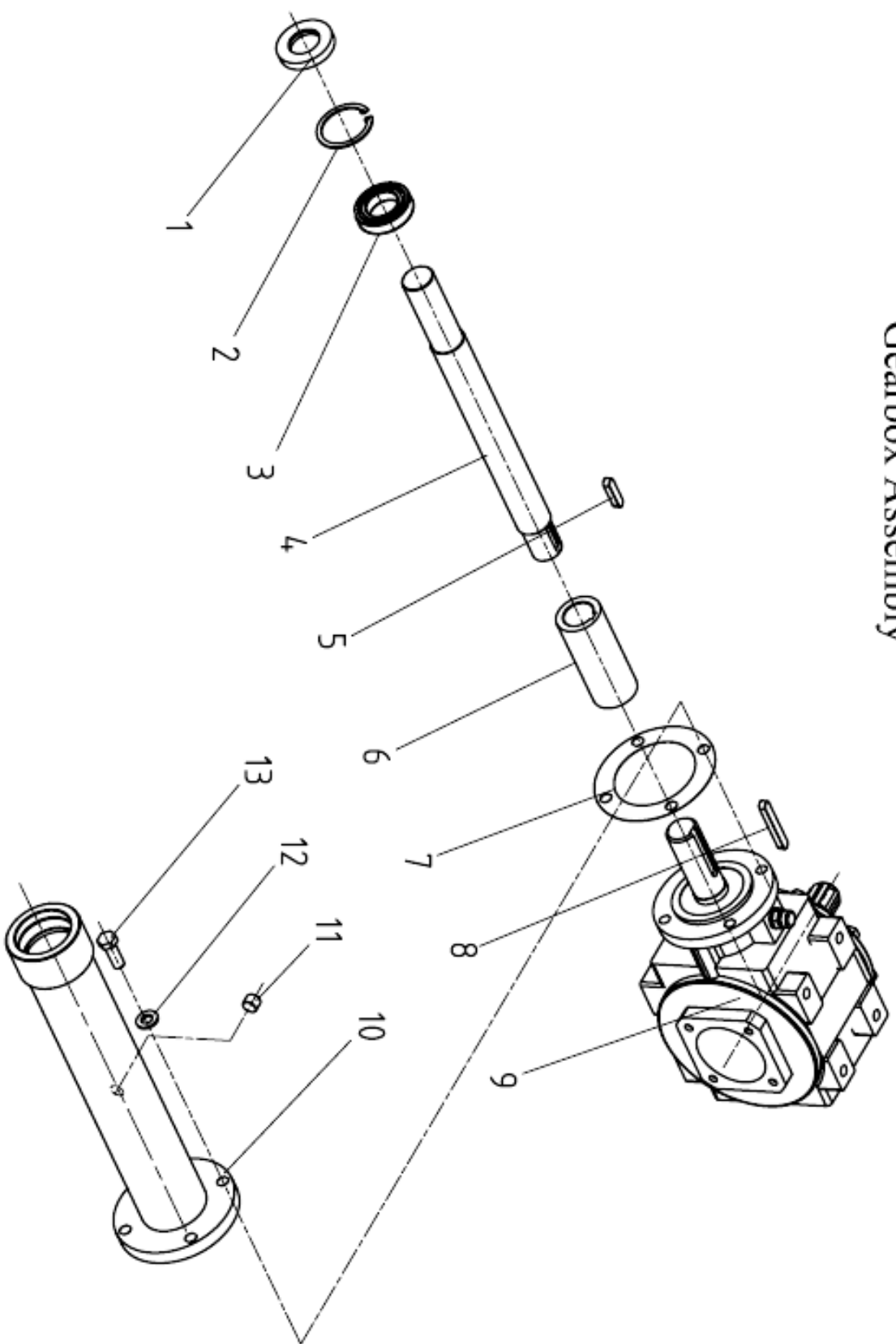
Flail Collector Assembly(RKN120/105/90)

Number	Serial Number	Part Name(EN)	Qty	Remarks
1	GB6184-86	Nut M10	3	
2	GB97.1-85	Plain Washer 10	3	
3	GB5783-86	Bolt M10x120	3	8.8 grade
4	RKN120.013	Deck weldment	1	
5	EF100.00.019		1	
6	RKN120.018		2	
7	RK120.014	Inner support plate	1	
8	GB6184-86	Nut M8	3	
9	GB97.1-85	Plain washer	6	
10	GB5783-86	Bolt M8x20	3	
11	GB97.1-85	Plain washer 10	2	
12	GB93-87	Washer 10	2	
13	GB5782-86	Bolt M10x45	2	8.8 grade
14	RK120.016	Box weldment	1	
15			2	
16	RK120.015	Hose	2	
17	RK120.022	Cylinder	1	
18	RKN120.107		2	
19	GB97.1-85	Plain washer 20	2	
20	GB6184-86	Nut 20	2	

Flail Collector Assembly(RKN160)

Number	Serial Number	Part Name(EN)	Qty	Remarks
1	GB6184-86	Nut M10	4	
2	GB97.1-85	Plain Washer 10	4	
3	GB5783-86	Bolt M10x120	4	8.8 grade
4	RKN160.013	Deck weldment	1	
5	EF100.00.019		1	
6	RKN120.018		2	
7	RK120.014	Inner support plate	1	
8	GB6184-86	Nut M8	4	
9	GB97.1-85	Plain washer	8	
10	GB5783-86	Bolt M8x20	4	
11	GB97.1-85	Plain washer 10	2	
12	GB93-87	Washer 10	2	
13	GB5782-86	Bolt M10x45	2	8.8 grade
14	RK160.016	Box weldment	1	
15			4	
16	RKN160.015		2	
	RKN160.016		4	
	RKN120.015	Hose	2	
17	RK120.022	Cylinder	2	
18	RKN120.107		4	
19	GB97.1-85	Plain washer 20	4	
20	GB6184-86	Nut 20	4	

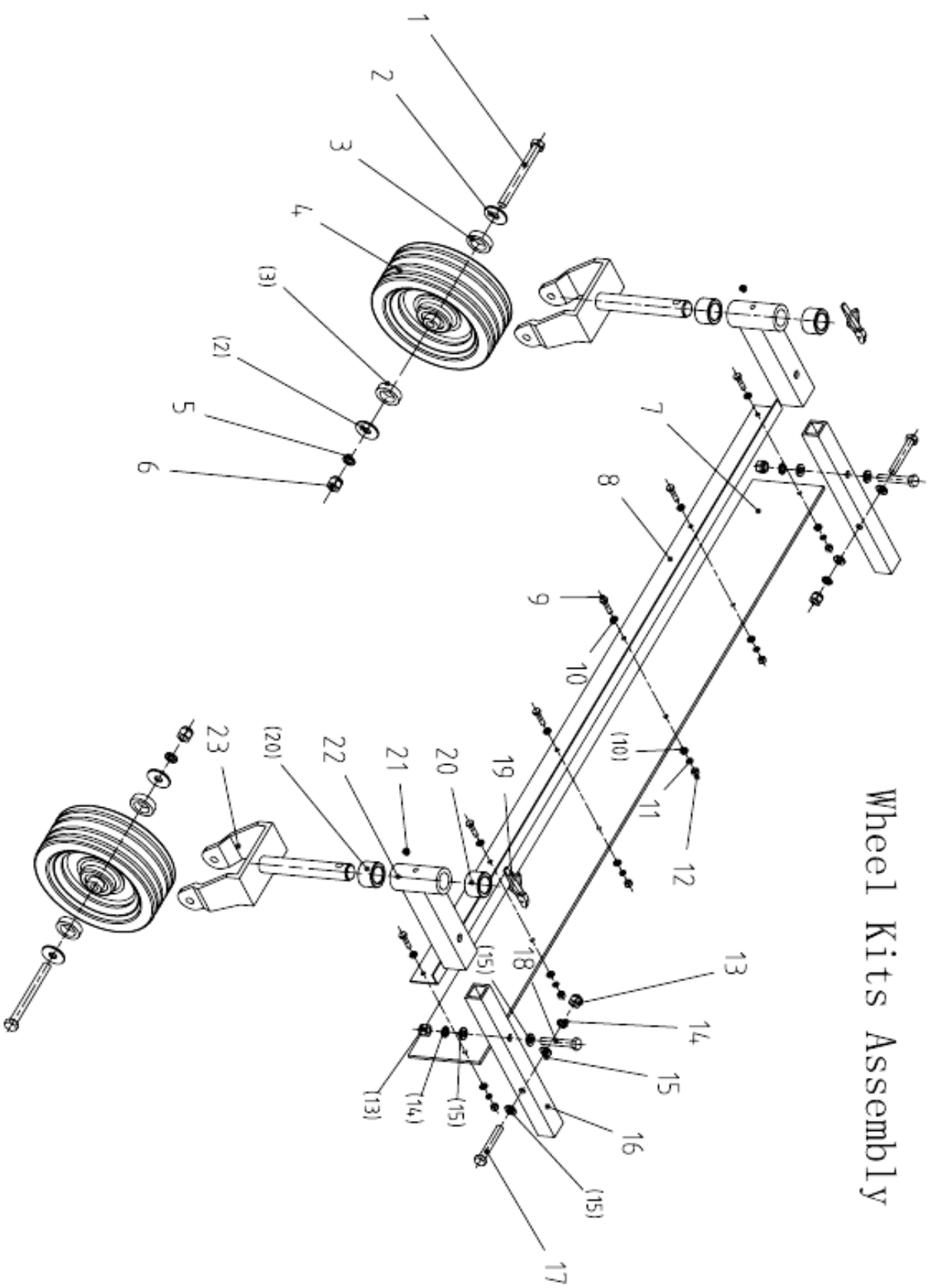
Gearbox Assembly



Gearbox Assembly

Ser.No	Part No	Name & Specification	Quantity
1	GB13871-94	Oil seal 35×72×10	1
2	GB893.1-86	Circlip 72	1
3	GB/T276-94	Bearing 6207	1
4	EFGC120.133A	Shaft	1
5	GB1096-79	Key A10X40	1
6	EFGC120.132	Connected sleeve	1
7	EFGC120.131	Paper gasket	1
8	GB1096-79	Key A10X70	1
9	XH50.300Z.02	Gearbox assembly	1
10	EFGC120.018A	Shaft tube weldment	1
11	ZBT 32001.3-87	Retainer	2
12	GB93-87	Plain washer 12	4
13	GB5783-86	Hex. head bolt M12X35	4

Wheel Kits Assembly



Wheel Kits Assembly

Number	Serial Number	Part Name(EN)	Qty	Remarks
1	GB5782-86	Bolt M12x120	2	8.8 grade
2	GB96-85	Washer 12	4	
3	FM120.00.120	Nylon bush	4	
4	FM120.00.018	Wheel kits	2	
5	GB93-87	Washer 12	2	
6	GB6184-86	Nut M12	2	
7	RK120.104	Block plate	1	
8	RK120.103	Pressing plate	1	
9	GB5783-86	Bolt M6x25	6	
10	GB97.1-85	Plain washer 6	12	
11	GB93-87	Spring washer 6	6	
12	GB6170-86	Nut M6	6	
13	GB6184-86	Nut M10	4	
14	GB93-87	Spring washer 10	4	
15	GB97.1-85	Plain washer 10	8	
16	RK120.102	Wheel support	2	
17	GB5782-86	Bolt M10x60	2	8.8 grade
18	GB5782-86	Bolt M10x55	2	8.8 grade
19	200.56.011	Lock pin	2	
20	RK120.101	Adjusting ring	4	
21	GB1152-89	Grease nipple	2	
22	RK120.011	Wheel bracket	2	
23	RK120.012	Wheel fork	2	