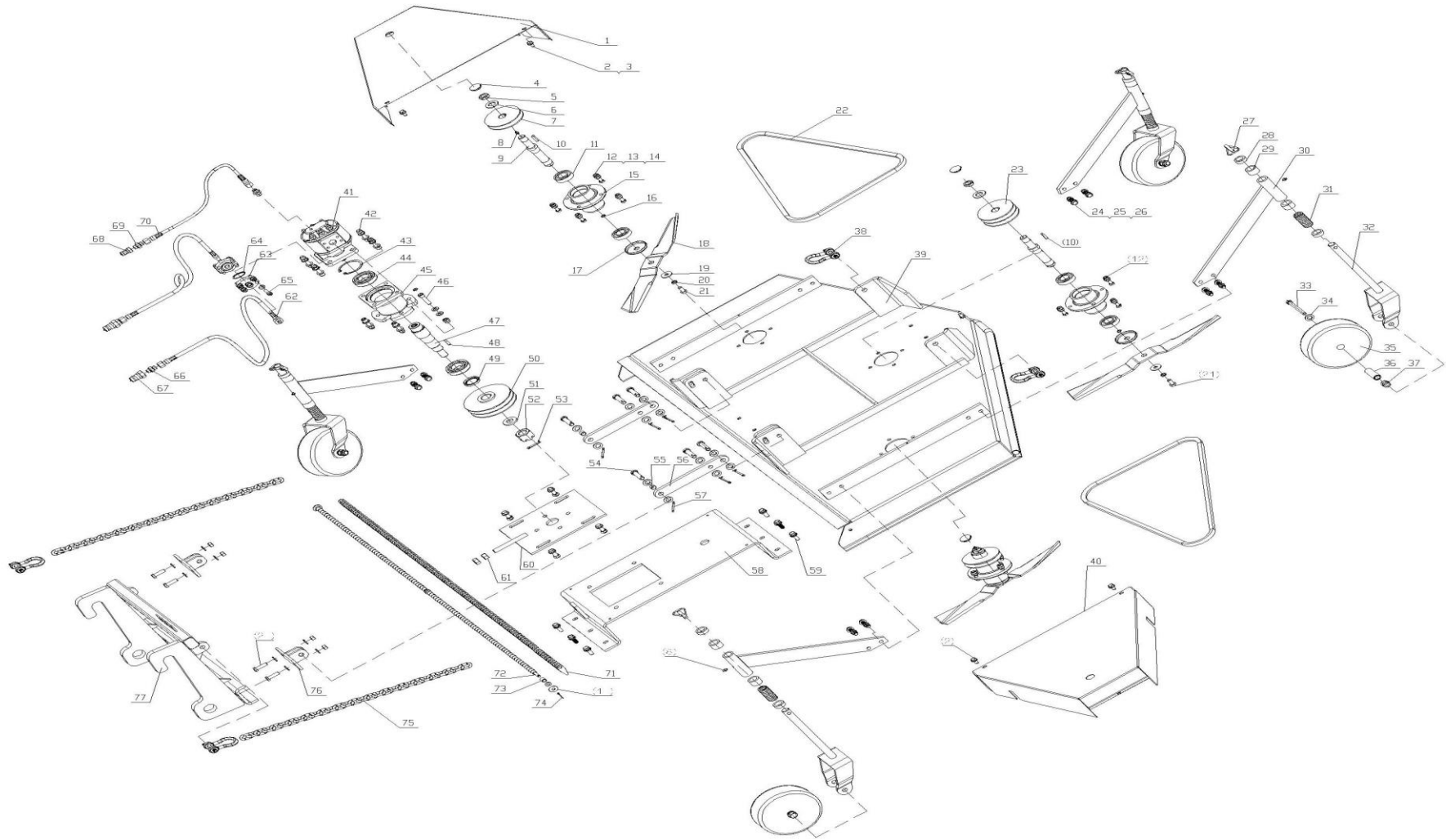


# LM Mower Assembly

## LM Mower Parts List



REF	PART NUMBER	DESCRIPTION	名称	QTY
1	LM120. 2	Belt cover left for LM120	左机罩壳	1
	LM150. 2	Belt cover left for LM150	左机罩壳	1
	LM180. 2	Belt cover left for LM180	左机罩壳	1
2	GB/T5783	Bolt M10x20	螺栓 M10X20	4
3	GB96-85	Plain washer 10	加大垫圈 10	4
4	LM180. 7	Rubber stopper	橡胶塞子 30	3
5	GB/T6173	Hexagonal thin nut M24*2	六角薄螺母 M24*2	3
6	GB93-87	Spring washer 24	垫圈 24	3
7	LM150. 5-1	Pulley 02 for LM120 and LM 150	皮带轮 02 (90)	2 (LM120 同)
	LM180. 5-1	Pulley 02 for LM180	皮带轮 02 (120)	2
8	JB/T7940. 1	Grease nipple M8*1	直通式压注油杯 M8*1	8
9	LM180. 4-2	shaft	带轮轴	3
10	GB/T1096	Key A type 8*35	平键 A 型 8*35	3
11	GB/T276-1994	Bearing 6206-Z	深沟球轴承 6206-Z	6
12	GB5783-86	Bolt M10x30	螺栓 M10X30	20
13	GB6184-86	Locking nut M10	防松螺母 M10	12
14	GB/T97. 1	Plain washer 10	平垫 10	20
15	LM180. 4-1	Bearing housing	带轮壳	3
16	GB/T894. 1	Shield ring 30	挡圈 30	3
17	LM180. 4-5	shim	刀垫	3
18	LM120. 4-4	Blade for LM120	刀片 120	3
	LM150. 4-4	Blade for LM150	刀片 150	3
	LM180. 4-4	Blade for LM180	刀片 180	3
19	GB/T96. 1	Plain washer 12	加大垫圈 12	7
20	GB93-87	Spring washer 12	垫圈 12	9
21	GB/T5783	Hex bolts M12*25-LH	六角螺栓 M12*25-LH 左旋	3
22	GB/T11544	Belt B1475 for LM120	齿形 V 带 B1475	2 (LM120)
	GB/T11544	Belt B1626 for LM150	齿形 V 带 B1626	2 (LM150)
	GB/T11544	Belt B1880 for LM180	齿形 V 带 B1880	2 (LM180)
23	LM150. 4-3	Pulley 01 for LM 120 and LM150	皮带轮 01 (90)	1 (LM120 同)
	LM180. 4-3	Pulley 01 for LM 180	皮带轮 01 (120)	1
24	GB/T5783	Bolt M12x40	六角螺栓 M12*40	16
25	GB/T97. 1	Plain washer 12	平垫 12	42
26	GB6184-86	Locking nut M12	防松螺母 M12	24
27	DIN11023	Lock pin 11*40	锁销 Φ11*40	4

28	LM180. 11	Short adjust bushing	短调节套	8
29	LM180. 12	Long adjust bushing	长调节套	8
30	LM180. 9	Wheel arm weldment	轮架焊合件	4
31	LM18. 19	spring	弹簧	4
32	LM180. 8	Wheel fork weldment	轮叉焊合件	4
33	GB/T5782	Hex bolt M16*110	六角螺栓 M16*110	4
34	GB/T97. 1	Plain washer 16	平垫 16	20
35	LM180. 10	Wheel 220*75	轮子 $\Phi$ 220*75	4
36	LM180. 25	Wheel bushing	尾轮套	4
37	GB6184-86	Locking nut M16	防松螺母 M16	4
38	JBT8112-1999	D type shackle	D 形卸扣 S-DW-1	4
39	LM120. 1	Mower deck for LM120	底板焊合件	1
	LM150. 1	Mower deck for LM150	底板焊合件	1
	LM180. 1	Mower deck for LM180	底板焊合件	1
40	LM120. 3	Belt cover right for LM120	右机罩壳	1
	LM150. 3	Belt cover right for LM150	右机罩壳	1
	LM180. 3	Belt cover right for LM180	右机罩壳	1
41	CMGh2020-BF $\Phi$ S	Hydraulic Gear motor for LM 120 and LM150	齿轮马达	1 (LM120/ LM150 同)
	CMGh2025-BF $\Phi$ S	Hydraulic Gear motor for LM 180	齿轮马达	1 (LM180)
42	GB/T70. 1	Hexagon socket head cap screw M12*40	内六角螺钉 M12*40	4
43	GB/T893. 1	Shield ring 80	挡圈 80	1
44	GB/T276	Bearing 6208-Z	深沟球轴承 6208-Z	2
45	LM180. 17-1	Deck for connecting shaft	联轴器壳体	1
46	GB/T70. 1	Hexagon socket head cap screw M12*45	内六角螺钉 M12*45	4
47	LM180. 17-2	Connection shaft	联轴器轴	1
48	GB/T1096-2003	Key type 10*35	平键 A 型 10*35	1
49	GB/T13971. 1	Oil seal FB40*55*8	油封 FB40*55*8	1
50	LM120. 17-3	Pulley 200 for LM 120	皮带轮 200	1
	LM180. 17-3	Pulley 160 for LM 150 and LM180	皮带轮 160	1 (LM150 同)
51	LM180. 17-4	Washer 01	垫片 01	1
52	GB/T6178	Nut M24	开槽螺母 M24	1
53	GB/T91	Cotter pin 5*40	开口销 5*40	1
54	LM180. 23	Pin 01	销 01	6

55	SF-2X	Bearing 15*17*12	无油轴承 15*17*12	4
56	LM180. 21	Connection bar	连接杆	2
57	GB/T91	Cotter pin 5*28	开口销 5*28	6
58	LM120. 16-1	Bracket for gear motor for LM120 and LM150	马达支架	1 (LM150 同)
	LM180. 16-1	Bracket for gear motor for LM120 and LM150	马达支架	1
59	GB/T5783	Bolt M12*30	六角螺栓 M12*30	6
60	LM180. 18	Connection plate weldment	联轴器连接板焊合件	1
61	GB/T6170	Nut M16	螺母 M16	2
62	LM180. 26-2	Oil pipe 1	油管 1	2
63	LM180. 26-1	connection	接头	2
64	AS568	O ring	O 形圈 219 Φ32.9	2
65	GB70-85	Screw M10*30	螺钉 M10*30	8
66	GE15LRED	Connection M22*1.5-G1/2	接头 M22*1.5-G1/2	2
67	GB/T5862-2008	Couple G1/2	快换接头 G1/2	2
68	GB/T5862-2008	Couple G3/8	快换接头 G3/8	1
69	GE08LR3/8ED	Connection M14*1.5-G3/8	接头 M14*1.5-G3/8	2
70	LM180. 26-3	Oil pipe 2	油管 2	1
71	LM180. 14	Fender	挡板	70 (LM120) 88 (LM150) 106 (LM180)
72	LM120. 13	Fender bar for LM120	挂杆	1
	LM150. 13	Fender bar for LM150	挂杆	1
	LM180. 13	Fender bar for LM180	挂杆	1
73	LM180. 15	bushing	隔套	68 (LM120) 86 (LM150) 104 (LM180)
74	GB/T91	Cotter pin 3.2*22	开口销 3.2*22	2
75	JBT8108. 2	Chain 8*950	短环链 8*950	2
76	LM180. 22	Connection plate weldment	连接块焊合件	2
77	LM180. 20	Mounting plate weldment	连接架焊合件	1